

Jet Series.

Overdoor heaters for lightly trafficked doorway.



Jet overdoor heaters are not air curtains and do not provide climate separation between indoor and outdoor spaces. Efficient and highly effective, they provide warmth and comfort to the surrounding area. Which makes them an ideal solution for doorways that are not highly trafficked and normally kept closed.

Sizes (Width) (Joining kits available)

600mm (3kw)
800mm (4.5kw/6kw)

Mounting Height

Up to 2.3m

Colour

Standard RAL 9010 (White)
RAL colour matching available

Warranty

1 year

Key features.



Electric

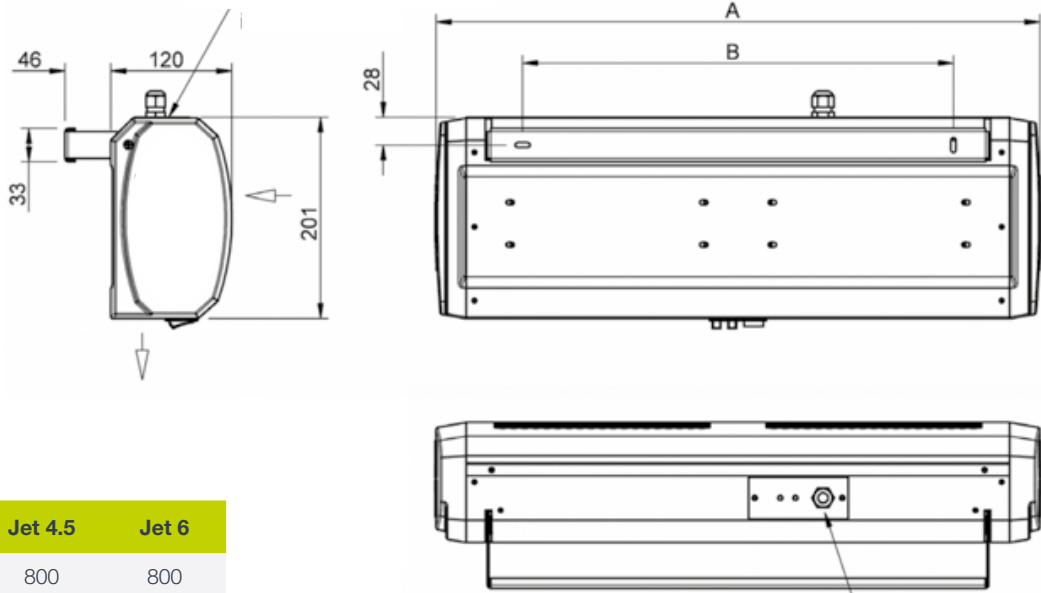
- Compact, space-saving design
- 1 year warranty
- RAL 9010 finish as standard
- Two heat settings
- Mounting height 2.3m
- Supplied complete with wall/ceiling mounting bracket
- IP21 rated



Jet Series.
Surface Mounted.

Jet Series Surface Mounted							
Model	Dimensions (L x W x D) (mm)	Supply (50Hz)	Heat output (kW)	Max velocity (m/s)	Max air volume (m ³ /h)	Weight (kg)	Noise output dB(A) @3m
Jet 3	600x120x201	230V~1P&N	1.5/3.0	6.0	200	4.5	46.5
Jet 6	600x120x201	230V~1P&N	3.0/6.0	8.0	370	5.5	56

Electrical Supply Unit



Electrical Supply Unit

	Jet 3	Jet 4.5	Jet 6
A (mm)	600	800	800
B (mm)	425	625	625